

## LUDE TRANSMISSION

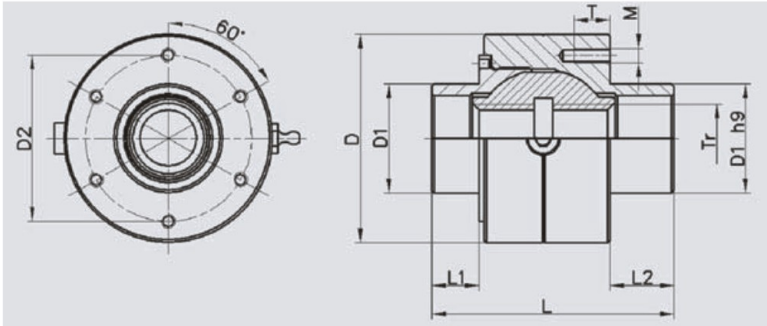
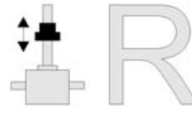
Self-aligning nut Series Screw Jack



**LINEAR MOTION**



## Nuts / Self-Aligning Nut PM

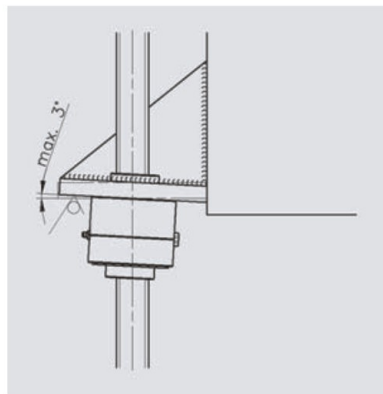


### What it can do

Errors can occur in the welded construction, which can lead to rapid wear of the trapezoid nuts. The self-aligning nut is able to compensate for angular errors up to a max. of 3° on the mounting faces. Due to a large grease reservoir extended life and service intervals are possible.

### What it cannot do

The self-aligning nut is not able to compensate parallelism errors of the screws and the guides. Care must be taken to ensure exact alignment of nuts and spindles. In addition the mounting faces for the gearbox must be exactly at right angles to the guides.



### Advantage

- 2 options to fix the bellows
- Grease nipple or connecting thread for centralised lubrication
- Max. 3° angular compensation

### Trapezoid thread

DIN 103, quality 7H  
right-handed

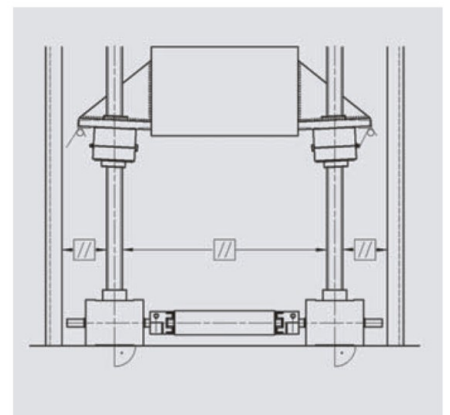
### Grease nipple screwed

Thread 1/8" / 1/4" from Tr 50x8 on

### Material

Housing: GG 25 (grey cast iron)  
Nut insert: Rg7 (bronze)

Safety nut for PM on request.



Order no.	Thread Tr d x P	D	D1	D2	M x T	L	L1	L2
SJA5-PM	18x4	52	29	40	5x12	78	13	21
SJA10-PM	20x4	74	39	60	6x12	83	13	24
SJA20-PM	30x6	88	46	70	6x12	95	13	27
SJA50-PM	40x7	105	60	85	8x16	129	15	30
SJA80-PM	50x8	148	85	120	10x20	190	15	45
SJA100-PM	60x12	165	90	125	12x24	210	15	45

### Higher quality and service life

- +/- 3° angular compensation
- large grease reservoir

### Saving of time and costs by

- simplified customer construction
- simplified production
- simplified mounting
- no additional components required
- long service intervals